
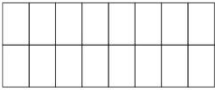
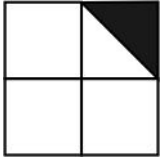



Question Paper
Set 7

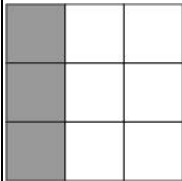
Subject: Mathematics
Grade: 5th

Q. N	Folder name & Question Code	Topic	Question with Answer Options	Image (If Any)	Correct Answer (Option-A,B,C,D)		
1	1_2 Mathematics 6790	Ch-4 Parts And Wholes	Which of these sets of coins has the greatest value?		C		
			Answer Options				
			Option A	Option B		Option C	Option D
			6 fifty paise coins	4 one-rupee coins		3 two rupee coins	3 rupees
2	1_2 Mathematics 6791	Ch-4 Parts and Wholes	How many parts should be shaded in figure Q to make it represent the same fraction as the unshaded part of figure P?	 Figure P	 Figure Q	D	
			Answer Options				
			Option A	Option B	Option C		Option D
			3	4	8		12
3	1_2 Mathematics 6793	CH-4 Parts And Wholes	What part of the picture below is shaded?		C		
			Answer Options				
			Option A	Option B		Option C	Option D
			1/2	1/4		1/8	1/16


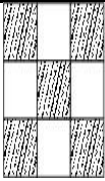

4	1_2 Mathematics 6795	Ch-4 Parts And Wholes	Which number should come in place of \square ?	$\frac{1}{7} + \frac{2}{7} + \frac{\square}{7} = 1\frac{3}{7}$	D		
			Answer Options				
			Option A	Option B		Option C	Option D
			1	2	3	7	

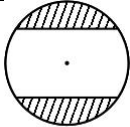
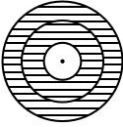
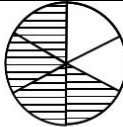
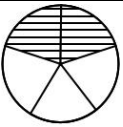

5	1_2 Mathematics 6800	Ch-4 Parts And Wholes	What is the decimal fraction shown by the shaded part of the figure given below?		A	
		Answer Options				
		Option A	Option B	Option C		Option D
		0.4	0.5	0.6	2.5	
6	1_2 Mathematics 6805	Ch-4 Parts And Wholes	Komal eats one full bar of chocolate. Then she divides another one into 5 equal parts and eats 3 of those parts. The total number of chocolates that she has eaten is		D	
		Answer Options				
		Option A	Option B	Option C		Option D
		4/5	3/5	8/10	8/5	

7	1_4 Mathematics 7458	Ch-4 Parts and Wholes	What fraction of a year is 5 months?		D	
		Answer Options				
		Option A	Option B	Option C		Option D
		1/2	1/5	5/7	5/12	

8	2_10 Mathematics 5750	Ch-4 Parts and Whole	What fraction does the shaded part represent?		A	
		Answer Options				
		Option A	Option B	Option C		Option D
		$\frac{1}{3}$	$\frac{3}{10}$	$\frac{1}{9}$	$\frac{3}{6}$	

9	1_4 Mathematics 7467	CH-4 Parts and Wholes	How many one-fourths need to be added to 2 & 1/4 to make 4?		D	
		Answer Options				
		Option A	Option B	Option C		Option D
		3	4	5	7	

10	2_10 Mathematics 5728	Ch-4 Parts and Wholes	If this clock shows the time at this moment, how many minutes ago was the time exactly 10 o'clock?		D	
		Answer Options				
		Option A 6	Option B 15	Option C 25		Option D 75
11	2_10 Mathematics 5732	Ch-4 Parts and Wholes	$5 + (2/6 + 2/6 + 2/6) = 5 + (a + a + a)$. Here "a" stands for:		B	
		Answer Options				
		Option A $3/4$	Option B $1/3$	Option C 3		Option D 4
12	1_4 MATHEMATICS 7488	Ch-4 Parts and Wholes	 +  Equals		A	
		Answer Options				
		Option A $11/9$	Option B $11/7$	Option C $11/18$		Option D $7/18$

13	2_10 Mathematics 5733	Ch-4 Parts and Wholes	Which circle is two thirds shaded?		C	
		Answer Options				
		Option A  A	Option B  B	Option C  C		Option D  D
14	2_10 Mathematics 5740	Ch-4 Parts and Whole	What is the maximum number of 1 meter long pieces that we can get from this rope?		A	
		Answer Options				
		Option A 8	Option B 9	Option C 80		Option D 85

15	2_10 Mathematics 5741	Ch-4 Parts and Whole	In which figure does the shaded part represent a fraction that is MORE than $\frac{3}{4}$?			B
		Answer Options				
		Option A	Option B	Option C	Option D	